



CLASSIC SERIES

TV WALL MOUNTS



TECHNICAL DATA SHEET: LRT400-RO FLAT TO WALL TV MOUNT WITH TILT

Simple, safe and attractive

Ross **Classic Series** TV mounts offer a range of functional formats to suit virtually all LCD, LED and Plasma TV mounting requirements. Each format comes in a range of sizes to ensure that there is a suitable mount for every installation need.

They are easy to install, easy to use and offer a range of features to ensure convenience, security and peace of mind.

Features:

- Tilt position to reduce screen glare and reflections
- Adjustable mounting frame
- Spirit level for accurate installation
- Safety locking screw for security and peace of mind



Technical Specifications:

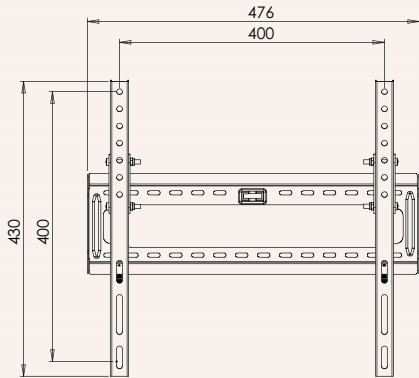
Max Load	Distance from Wall		Swivel Range	Tilt Range	No. of Articulation Points	Mounting pattern	VESA Compatible:
	Max (Extended)	Min (folded)					
30Kg/66lbs	n/a	40mm/1.6"	n/a	+/-10°	0	Double Stud & Solid Wall	75x75-400x400



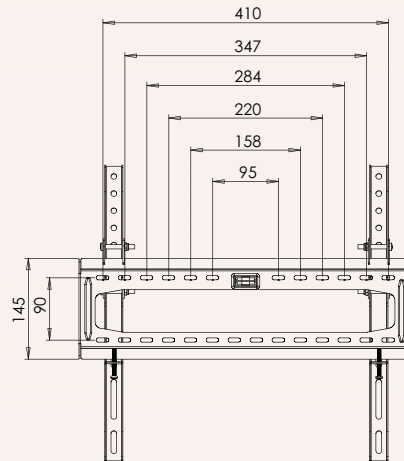


TECHNICAL DATA SHEET: LRT400-RO
FLAT TO WALL TV MOUNT WITH TILT

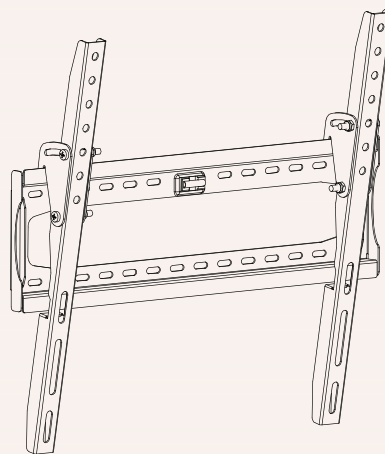
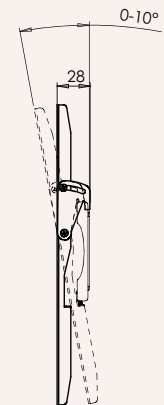
VESA Details



Mounting Hole Details



Min Profile



All dimensions are in mm

Packaging Information:

Product Number	Description	Product Packaging		Outer Packaging		
		Type	Barcode	Type	Qty in Box	Barcode
LRT400-RO	Flat to Wall TV Mount with Tilt	Colour Gift Box	5015056 392745	Brown Outer with Label	10	05015056 500997

Weight & Dimensions:

Product		Product Box				Outer Box		
Extended	Folded	Net Weight	Dimensions	Gross Weight	Cubic	Dimensions	Gross Weight	Cubic
47.6 x 43 x 2.8 cm	n/a	1.545kg	49.2 x 15.1 x 3.7 cm	1.6kg	0.0027m ³	52 x 40.5 x 18 cm	17.7kg	0.0379m ³
18.74" x 16.93" x 1.10"	n/a	3.399lbs	19.37" x 5.94" x 1.46"	3.52lbs	0.0971ft ³	20.47" x 15.94" x 7.09"	38.94lbs	1.3387ft ³