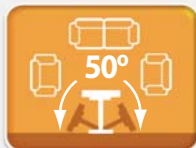




CLASSIC SERIES

TV WALL MOUNTS



TECHNICAL DATA SHEET: LCDST32-RO TILT & TURN TV WALL MOUNT

Simple, safe and attractive

Ross **Classic Series** TV mounts offer a range of functional formats to suit virtually all LCD, LED and Plasma TV mounting requirements. Each format comes in a range of sizes to ensure that there is a suitable mount for every installation need.

They are easy to install, easy to use and offer a range of features to ensure convenience, security and peace of mind.

Features:

- Adjustable tilt and swivel for more flexible viewing
- TV screen can be positioned to reduce screen glare and reflections
- Easy slide-on installation
- Safety locking screw for security and peace of mind



Security screw

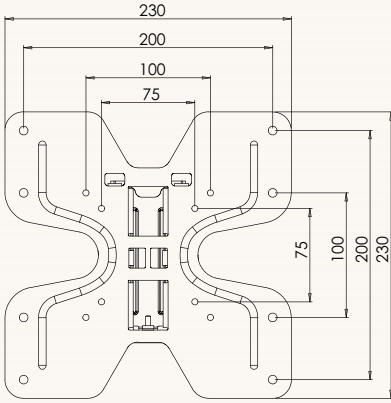
Technical Specifications:

Max Load	Distance from Wall		Swivel Range	Tilt Range	No. of Articulation Points	Mounting pattern	VESA Compatible:
	Max (Extended)	Min (folded)					
25Kg/ 55lbs	n/a	77mm/ 3"	50°	+/-15°	1	Single Stud & Solid Wall	75x75- 200x200

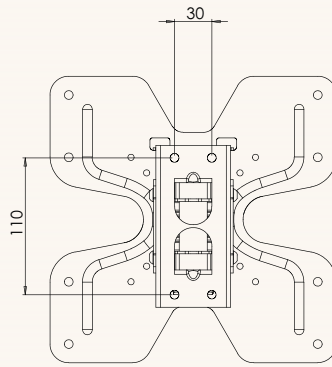


**DIMENSIONS & SPECIFICATIONS SHEET: LCDST32-RO
TILT & TURN TV WALL MOUNT**

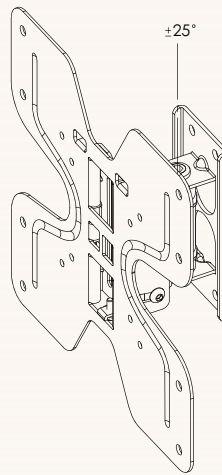
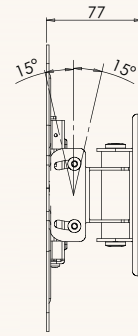
VESA Details



Mounting Hole Details



Min Profile



All dimensions are in mm

Packaging Information:

Product Number	Description	Product Packaging		Outer Packaging		
		Type	Barcode	Type	Qty in Box	Barcode
LCDST32-RO	Tilt & Turn TV Wall Mount	Colour Gift Box	5015056 510187	Brown Outer with Label	10	05015056 396569

Weight & Dimensions:

Product			Product Box			Outer Box		
Extended	Folded	Net Weight	Dimensions	Gross Weight	Cubic	Dimensions	Gross Weight	Cubic
23 x 23 x 7.7 cm	n/a	1.26kg	26.5 x 23.5 x 7.2 cm	1.4kg	0.0045m ³	49.5 x 38.5 x 30 cm	15.9kg	0.0572m ³
9.06" x 9.06" x 3.03"	n/a	2.772lbs	10.43" x 9.25" x 2.83"	3.08lbs	0.1583ft ³	19.49" x 15.16" x 11.81"	34.98lbs	2.0190ft ³